



Circuit breaker size S3 for motor protection, Class 10 A-release 45...63 A
Short-circuit release 819 A Screw terminal Standard switching capacity !!!
Phased-out product !!! Successor is SIRIUS 3RV2 Preferred successor
type is >>3RV2031-4JA10<<

| | |
|--------------------------------------------------------------------------------------------|----------------------|
| product brand name | SIRIUS |
| product designation | circuit breaker |
| design of the product | for motor protection |
| General technical data | |
| product extension auxiliary switch | Yes |
| power loss [W] for rated value of the current | |
| • at AC in hot operating state | 34 W |
| • at AC in hot operating state per pole | 11.3 W |
| surge voltage resistance rated value | 6 000 V |
| protection class IP on the front | IP20 |
| shock resistance | 25g / 11 ms |
| mechanical service life (switching cycles) of the main contacts typical | 50 000 |
| continuous current rated value | 63 A |
| Substance Prohibitance (Date) | 01.07.2006 00:00:00 |
| Ambient conditions | |
| installation altitude at height above sea level maximum | 2 000 m |
| ambient temperature | |
| • during operation | -20 ... +60 °C |
| • during storage | -50 ... +80 °C |
| • during transport | -50 ... +80 °C |
| Main circuit | |
| number of poles for main current circuit | 3 |
| adjustable current response value current of the current-dependent overload release | 45 ... 63 A |
| operating voltage | |
| • rated value | 690 V |
| • at AC-3 rated value maximum | 690 V |
| operational current at AC-3 at 400 V rated value | 63 A |
| operating power at AC-3 | |
| • at 400 V rated value | 30 kW |
| operating frequency at AC-3 maximum | 15 1/h |
| Auxiliary circuit | |
| number of CO contacts for auxiliary contacts | 0 |
| Protective and monitoring functions | |
| product function | |
| • ground fault detection | No |
| • phase failure detection | Yes |
| trip class | CLASS 10 |

| | |
|--------------------------------------------------------------------------------------------------------------------------------------------------------------------------------------------------|----------------------------------|
| breaking capacity maximum short-circuit current (Icu) | |
| <ul style="list-style-type: none"> • at AC at 240 V rated value • at AC at 400 V rated value • at AC at 500 V rated value • at AC at 690 V rated value | 100 kA 50 kA 12 kA 6 kA |

Short-circuit protection

| | |
|--------------------------------------------------------------------|----------------|
| design of the overcurrent release and short-circuit release | thermomagnetic |
|--------------------------------------------------------------------|----------------|

Installation/ mounting/ dimensions

| | |
|--------------------------------------------------------------------------------------|----------------------------------------------------------------------------------------|
| mounting position | any |
| fastening method | screw and snap-on mounting onto 35 mm standard mounting rail according to DIN EN 50022 |
| height | 165 mm |
| width | 70 mm |
| depth | 174 mm |
| required spacing with side-by-side mounting | |
| <ul style="list-style-type: none"> • backwards • at the side | 0 mm 0 mm |

Connections/ Terminals

| | |
|-------------------------------------------------------------------------------------------------------------------------------------------------------------------------------------------------------------------------------------------------------------------|------------------------------------------------------------------------------------------------------------------------------------------------------------------------------------------------------|
| product component removable terminal for auxiliary and control circuit | No |
| type of electrical connection | |
| <ul style="list-style-type: none"> • for main current circuit • for auxiliary and control circuit | screw-type terminals with box terminals screw-type terminals |
| arrangement of electrical connectors for main current circuit | front side |
| type of connectable conductor cross-sections | |
| <ul style="list-style-type: none"> • for main contacts <ul style="list-style-type: none"> — solid — stranded — finely stranded with core end processing • at AWG cables for main contacts | 2x (2.5 ... 16 mm ²) 2x (10 ... 50 mm ²), 1x (10 ... 70 mm ²) 2x (2.5 ... 35 mm ²), 2.5 ... 50 mm ² 2x (10 ... 1), 1x (10 ... 2) |

Safety related data

| | |
|--------------------------------------------------|-------------|
| touch protection against electrical shock | finger-safe |
|--------------------------------------------------|-------------|

Certificates/ approvals

| | |
|---------------------------------|---------------------------------------|
| General Product Approval | For use in hazardous locations |
|---------------------------------|---------------------------------------|



[Confirmation](#)



| | | | |
|---------------------------------------|----------------------------------|--------------------------|--------------------------|
| For use in hazardous locations | Declaration of Conformity | Test Certificates | Marine / Shipping |
|---------------------------------------|----------------------------------|--------------------------|--------------------------|



[UK Declaration of Conformity](#)

[Special Test Certificate](#)

[Type Test Certificates/Test Report](#)



| | |
|--------------------------|--------------|
| Marine / Shipping | other |
|--------------------------|--------------|



[Miscellaneous](#)

[Confirmation](#)



[Special Test Certificate](#)

Further information

Information- and Downloadcenter (Catalogs, Brochures,...)

<https://www.siemens.com/ic10>

Industry Mall (Online ordering system)

<https://mall.industry.siemens.com/mall/en/en/Catalog/product?mlfb=3RV1041-4JA10>

Cax online generator

<http://support.automation.siemens.com/WW/CAXorder/default.aspx?lang=en&mlfb=3RV1041-4JA10>

Service&Support (Manuals, Certificates, Characteristics, FAQs,...)

<https://support.industry.siemens.com/cs/ww/en/ps/3RV1041-4JA10>

Image database (product images, 2D dimension drawings, 3D models, device circuit diagrams, EPLAN macros, ...)

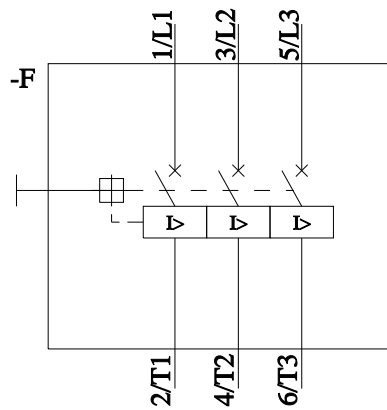
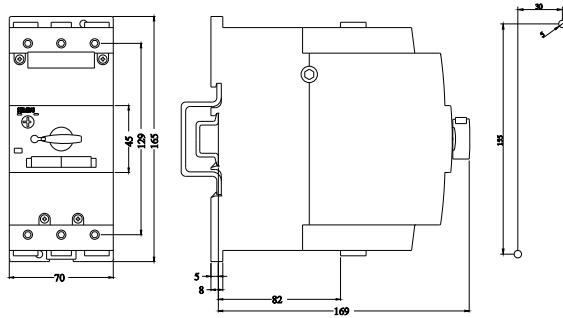
http://www.automation.siemens.com/bilddb/cax_de.aspx?mlfb=3RV1041-4JA10&lang=en

Characteristic: Tripping characteristics, I²t, Let-through current

<https://support.industry.siemens.com/cs/ww/en/ps/3RV1041-4JA10/char>

Further characteristics (e.g. electrical endurance, switching frequency)

<http://www.automation.siemens.com/bilddb/index.aspx?view=Search&mlfb=3RV1041-4JA10&objecttype=14&gridview=view1>



last modified:

12/23/2020